

User Guide

—Single Color Fires

Magic Fires Here...



3D Water Vapor Fireplace



U.S.: Federal
Communications
Commission (FCC)



Canada: Industry
Canada (IC)



Japan: Ministry of Internal
Affairs and
Communications (MIC)



Korea: Korea
Certification (KC)



Europe: Conformance
Européenne (CE)

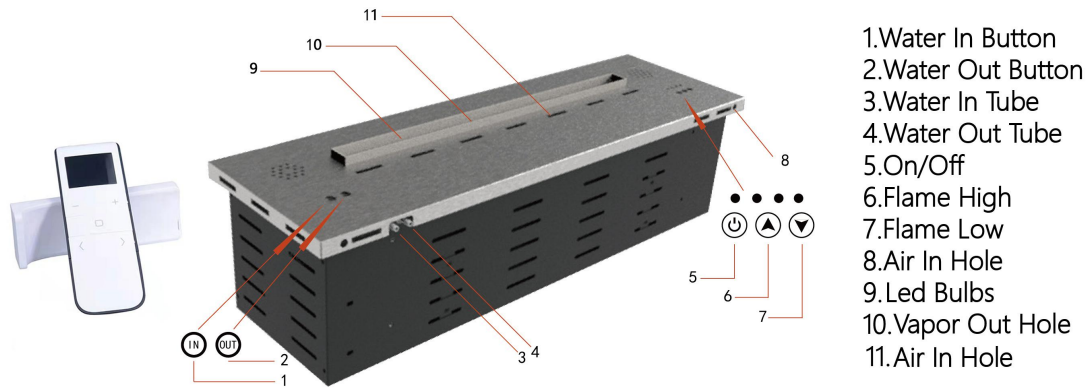
Art Fireplace Technology Limited.

PROFESSIONAL INTELLIGENT FIREPLACE LEADER

Official Website: <http://www.art-fire.com>

Phone:0086 13928878187 E-mail:info@art-fireplace.com

**Address:FLAT/RM 705,7/F,FA YUEN COMM BLDG NO.75,FA YUEN
STREET,MONG KOK,KLN,HK**



Single Color Vapor Fire With Remote Controller

Single Color 3D Water Fires Functions:

- **Easy Control: Button ON/OFF and Remote Control**
- **24V Low Voltage**
- **Material in stainless and MDF**
- **Flame Height Adjustable**
- **Flame Speed: Adjustable**
- **Flame Orange Color Only**
- **LED Light**
- **Automatic Fill The Tank**
- **Automatic Drainage system**
- **Connect to water pipe system**
- **Green Energy Conservation**
- **Over-flow protection function**
- **Over-voltage protecting and power leakage protecting functions**

3D Water Vapor Fire Model AFW80 with 81cm Long

3D Water Vapor Fire Model AFW100 with 101cm Long

3D Water Vapor Fire Model AFW120 with 121cm Long

3D Water Vapor Fire Model AFW150 with 151cm Long

3D Water Vapor Fire Model AFW180 with 181cm Long

3D Water Vapor Fire Model AFW200 with 201cm Long

3D Water Vapor Fire Model AFW230 with 231cm Long

3D Water Vapor Fire Model AFW280 with 281cm Long

Square / Round Vapor Fires etc...

Any Customized Sizes and Shape are Available.

1. WARNING!

Before any use, please read the User Guide.

This apparatus is manufactured to have intermittent functioning.

Use your device only in well ventilated areas.

Installing the fireplace horizontally (check it with a spirit level).

2. TECHNICAL CHARACTERISTICS OF THE DEVICES

Reference	Output (Watts)	Consumption (Litre/hour)	Tank capacity (Liters)	Dimensions L x W x H (cm)	Weight (Kgs)	Minimum volume * (m3)
Single Color Models						
AFW80	80	0.17	2.1	81*25*22	23	90
AFW100	100	0.20	2.7	101*25*22	27	120
AFW120	120	0.25	3.5	121*25*22	36	150
AFW150	150	0.30	4.7	151*25*22	45	180
AFW180	180	0.35	5.9	181*25*22	54	210
AFW200	210	0.40	6.5	201*25*22	65	250
AFW230	240	0.50	7.5	231*25*22	75	300
Multi-color Models						
AFW80	110	0.17	2.1	81*25*22	23	90
AFW100	130	0.20	2.7	101*25*22	27	120
AFW120	150	0.25	3.5	121*25*22	36	150
AFW150	185	0.30	4.7	151*25*22	45	180
AFW180	215	0.35	5.9	181*25*22	54	210
AFW200	245	0.40	6.5	201*25*22	65	250
AFW230	285	0.50	7.0	231*25*22	75	300

*Minimum volume of room advised (m3)

Device equipped volts-100/240 V AC 50-60 Hz.

Device equipped with some spare parts.(Handles, Plastic Tube, Vapor Maker etc...)

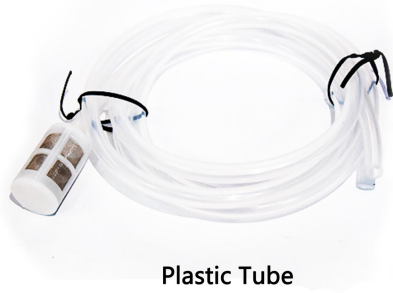
3. PREPARATION OF THE DEVICE BEFORE USE

Remove the packaging of your device.

Keep the plastic tube, handles, power adaptor, etc

Verify that there is no objects in the device. Remove it if necessary.

Devices MUST BE mounted on the wall, fixed on the ground or built-in.



Plastic Tube

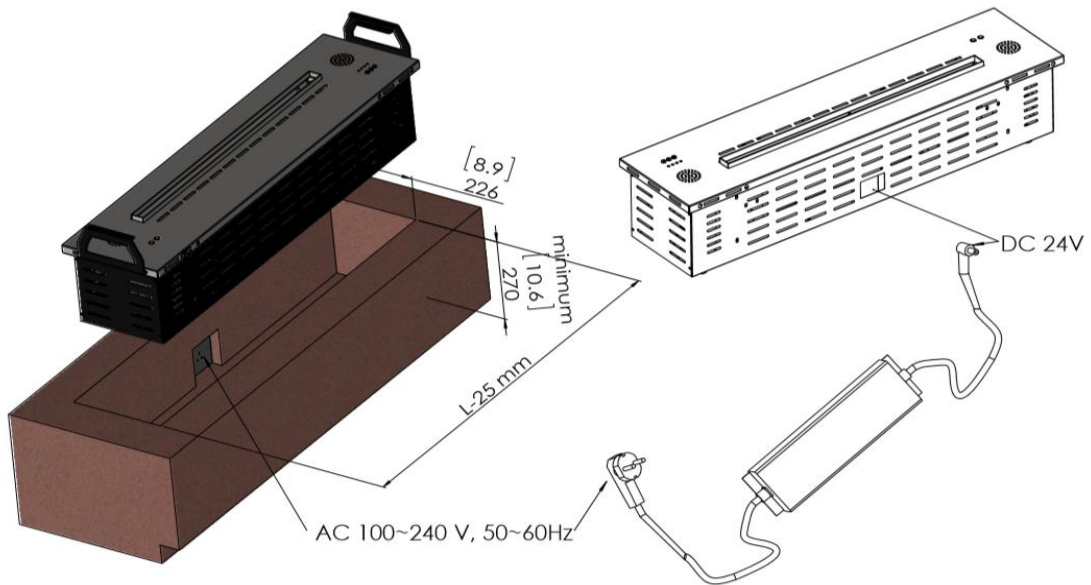
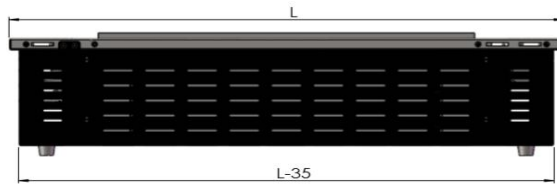


Handle

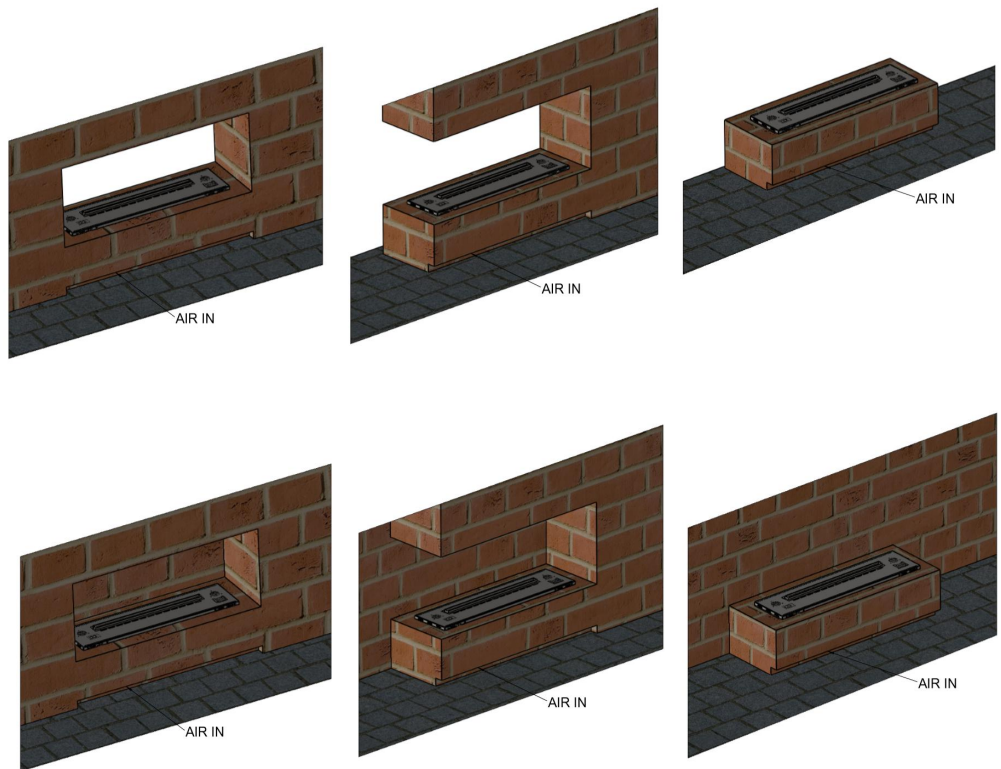


Remote control

- **Fireplaces installation**



- **Different Designs:**



A mounting bar with holes is supplied with wall fireplaces
Use a spirit level to ensure that the bar is straight; fix it by using appropriate screws according to the type of chosen wall.
With the help of another person, hang the fireplace in position.

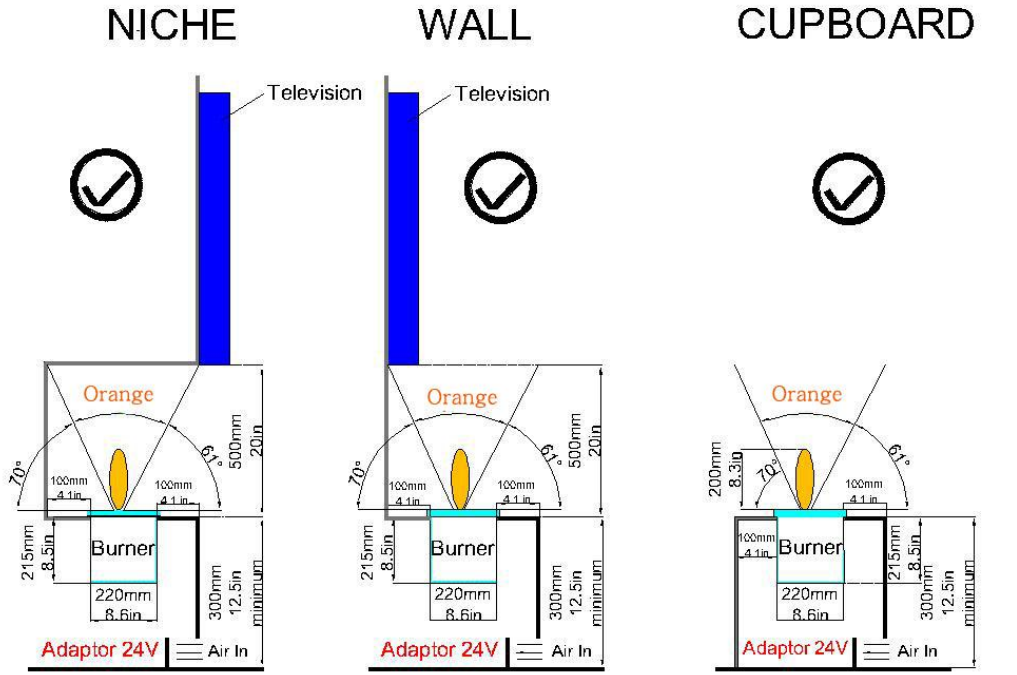
● **Burners Installation**

Build-in the burners according to the flame level.
Check that the fireplace has a right level by using a spirit level.

4. SPECIAL PRECAUTIONS FOR INSTALLATION

- Check that the fireplace has a right level by using a spirit level.
- Do not put objects on the device when functioning.
- Leave a free access to the control buttons.
- Do not use in a room with draught.
- RGB Range

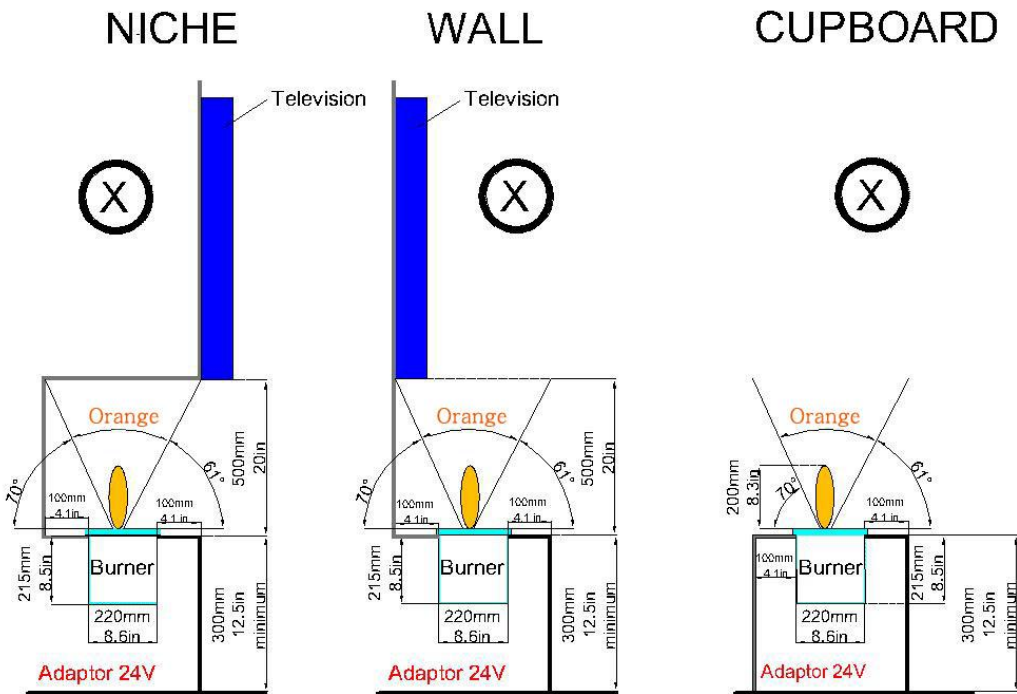
Installation methods



↑
Attention: Air In

↑
Attention: Air In

↑
Attention: Air In



5. POWER SUPPLY CONNECTION

Before positioning, the device must be connected with the socket to the power supply.

Each unit is equipped with a power plug.

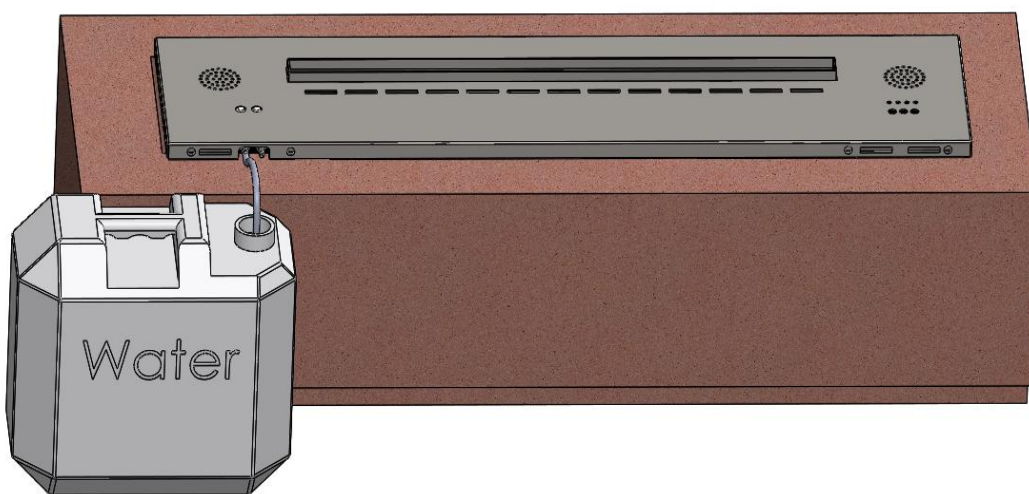
EU Plug/UK Plug/US Plug/AU Plug etc...

100V-240V Power available.

6. FILLING OF THE TANK

About Filling the tank, We use **“Water In”** function.

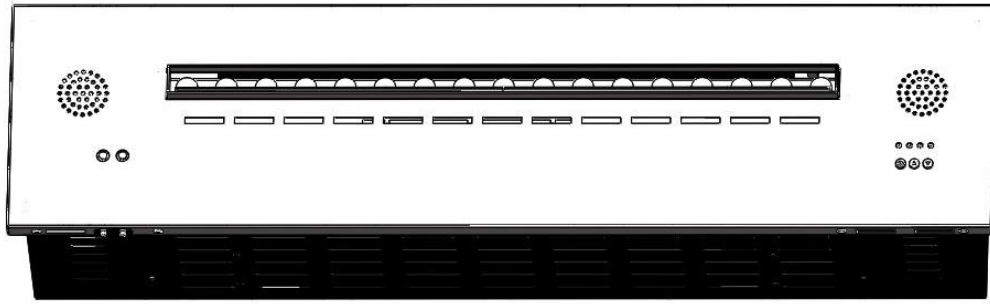
Prepare a container with pure water inside, one side of the plastic tube connect to the external tube **“IN”** and another side in the pure water container, keep pressing the Button **“IN”** for **4 seconds**, the left button **“IN”** will turn Blue and the pump will automatically pump water into the tank. And pump will stop automatically when water comes to the maximum level.



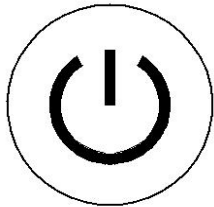
Notice:

- NEVER fill the burner directly. ALWAYS the water in filling nozzle of the burner.
- Use only pure water.
- Once the maximum level is reached: a BIP is emitted by the electronic gauge.
- The **“Water Out”** function is for pumping the water out from the tank. Keep pressing the **“OUT”** Button 1 seconds to start.
- If long time no use the fireplace, please drain out all the water.

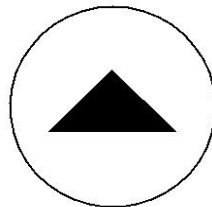
7.INSTRUCTION OF USE



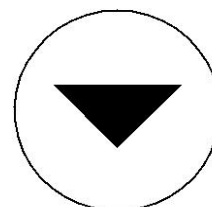
a) Buttons



Button A:ON/OFF



Button B:Flame High



Button C:Flame Low

Button A-- Turn On

Turn On/Off the device only with the switch ON/OFF Button or the Remote Controller.

Before turning on the burner,make sure there is enough water inside the burner.

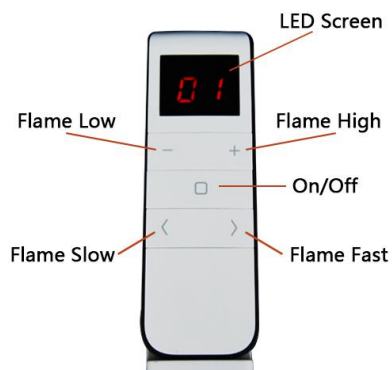
Keep Pressing the Button A on the Unit For 4 SECONDS or press on the remote controller, the Lights will automatically light on. After 1 second Water Flame will take place.

Button A-- Turn Off

Shut down the device with the switch Button A on the unit or Press on the Remote Controller, The burner will turn Off.

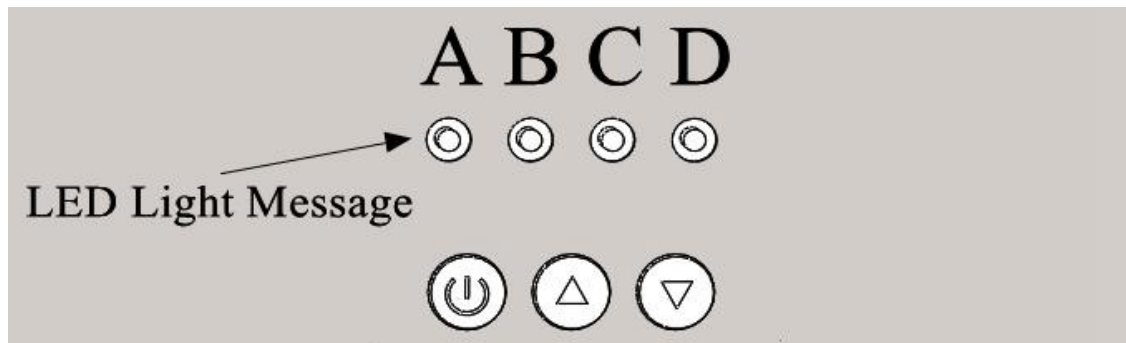
Button B-- Flame High

Button C-- Flame Low



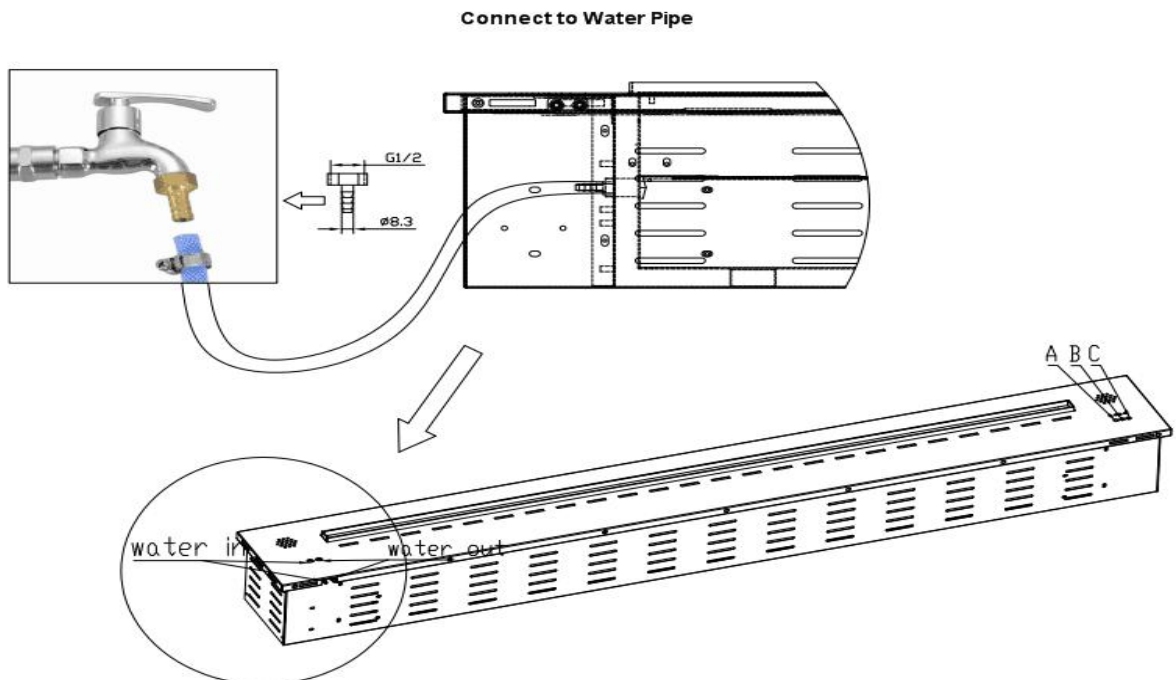
X1

8.FUNCTIONING MESSAGE



Light	Light OFF	Light On
A	Device is not connected to power supply.	Device is connected to power supply.
B		Injection starts. When Maximum Water Level in the tank, injection will stop.
C	Lowest water level in the tank. Device can work.	Lack Of Water. Device can not work. Please Add water into the tank.
D	Maximum Water Level in the tank. Device can keep work.	Less than Maximum Water Level in the tank. Device can keep working.

9.CONNECT TO WATER PIPE



11. MAINTENANCE AND CLEANING

- Only use pure water.
- Clean the burners with a soft rag or cloth.
- Some components are determining the safety and the functioning of your device.
- Use **Water Out** to discharge the water out absolutely.
- If you want to take the device to another place, please confirm there is no water in the device.
- If you will not use it for more than 10days, please use **Water Out** to discharge the water out from the burner to keep the tank inside clean.

Their replacement may modify the performances of your device. Only original components must be used during the operations of maintenance, or reparations. This maintenance must only be operated by specialists.

Failure to observe this operating manual and its operating instructions as well as unauthorized tampering with the device releases us from any liability and also invalidates the warranty covering the devices and accessories.

12. COLORS OF THE PANEL AVAILABLE

Mirror Black

Brush Black

Stainless Steel

Brushed Gold





Thank you For Reading.

Art Fireplace Technology Limited.

PROFESSIONAL INTELLIGENT FIREPLACE LEADER

Official Website: <http://www.art-fire.com>

Phone:0086 13928878187 E-mail:info@art-fireplace.com

Address:FLAT/RM 705,7/F,FA YUEN COMM BLDG NO.75,FA YUEN STREET,MONG KOK,KLN,HK